



P/N: 1518100



TIGER SHARK 66.7kN EN 24V

FEATURES:

- 66.7kN (14,994lbs.) capacity
- 6.8 HP motor
- 3-Stage planetary gearing with 345:1 ratio
- Automatic, full load holding cone brake
- 4-way stainless steel roller fairlead (wire rope)
- Rope not included
- Kick-N-Flip style freespool with spring loaded safety latch
- 30' handheld wired remote control
- Includes mounting hardware
- Winch Hook not included
- Textured black finish
- Compliant with EN14492-1 requirements

SPECIFICATIONS

WINCH MODEL:	Tiger Shark 66.7kN EN 24V
PART NUMBERS:	1518100
RATED LINE PULL:	66.7kN (14,994 lbs.) single line
MOTOR:	Series wound 6.8/5.0kW, 24V DC
REMOTE CONTROL:	30' (9.1m) wired handheld
GEARBOX:	3-Stage planetary
GEAR RATIO:	345:1
CLUTCH:	Kick-n-flip with safety latch
BRAKE:	Automatic cone brake
ROPE:	Not included
FAIRLEAD:	4-Way roller fairlead
DRUM SIZE:	5.0" x 8.2" (127mm x 209mm)
DIMENSIONS:	24.4" x 12.1" x 10" (619mm x 308mm x 254mm)
MOUNTING BOLT PATTERN:	10.0" x 4.5" (255mm x 114mm) + 10.0" x 6.7" (255mm x 171mm)
NET. WEIGHT:	132 lbs. (59.9kgs)
WARRANTY:	Limited lifetime mechanical and 3 year limited electrical
FINISH:	Textured black powder coat
WINCH HOOK:	Not included

TIGER SHARK EN 14492 WINCHES ARE PROVIDED WITHOUT WIRE ROPE, HOOK, OR FAIRLEAD

MINIMUM ROPE BREAKING STRENGTH	133.4 kN (29,988 lbs.)
STANDARDS COMPLIANCE	EN 14492-1. CE Directives—Machinery 2006/42/EC; Noise Emission 2000/14/EC; Electromagnetic Compatibility 2014/30/EC

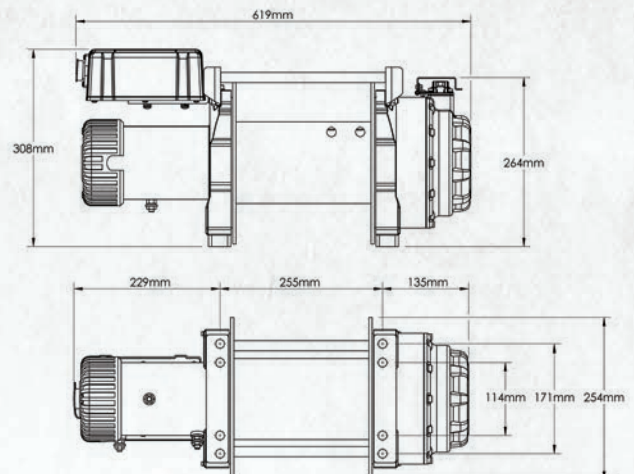
LINE SPEED AND MOTOR CURRENT (FIRST LAYER)

LINE PULL	Lbs.	0	4465	7868	11240	14994
	kN	0	20	35	50	66.7
LINE SPEED	FPM	26.6	14.7	11.7	10.1	8.8
	MPM	9.0	4.5	3.6	3.1	2.7
MOTOR CURRENT	Amps	40	99	138	177	221

LINE PULL AND CABLE CAPACITY

LAYER OF CABLE		1	2	3
RATED LINE PULL PER LAYER	Lbs.	14994	12509	10730
	kN	66.7	55.6	47.7
CABLE CAPACITY PER LAYER	Ft.	20.3	44.7	73.1
	M	6.2	13.6	22.3

DIMENSIONS



INTERNATIONAL